

**AXOR Urquiola**  
**Single lever basin mixer 130 with pop-up waste set**  
 Surfaces: **Chrome** Article Number: **11020000**



### Description

#### product features

- consists of: single lever basin mixer, waste set
- ComfortZone 130
- projection 139 mm
- normal spray
- flow rate at 3 bar: 5 l/min
- ceramic cartridge
- temperature limitation adjustable
- suitable for continuous flow water heaters
- pop-up waste set G 1¼
- connection dimension: DN15

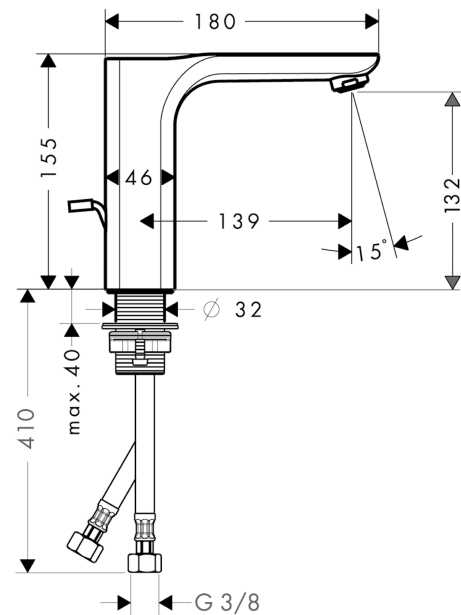
### Technology



### Product image



### Scale drawing



### Flowchart

